



# Multiple bread line

## 小型多功能面包生产线

**A compact bread line developed especially for small- and in-store bakeries suitable for bun, bread and baguettes production. A line with a high value for money and a very short pay-off time.**

一套改进的紧凑的生产线，可用于小型面包房现场焙烤，适用于餐包，面包和法棒的生产，性价比高。

### Features and benefits

- Bread and baguette line with capacity of 600 pcs/hour
- Weight range 100 – 1000 gram
- Proving time 6 minutes
- Compact and space saving  
Motorized outfeed conveyor for an excellent result of long baguettes

### 特点与优势

面包和法棒线产量为600个/小时  
重量范围：100—1000g  
醒发时间6分钟  
紧凑、节省空间  
电动输出输送带可以得到完美在长法棒成型效果



### SD-180 Multi Suction Dough Divider

SD-180  
面团分块机



|                        |              |
|------------------------|--------------|
|                        | SD-180 Multi |
| Weight range<br>重量范围   | 100-1000 gr  |
| Capacity up to<br>产量可达 | 600 pcs/h    |

### IPP 1/60 Multi Intermediate Pocket Prover

IPP 1/60  
中间醒发箱



|                        |                |
|------------------------|----------------|
|                        | IPP 1/60 Multi |
| Weight range<br>重量范围   | 100-1000 gr    |
| Capacity up to<br>产量可达 | 600 pcs/h      |

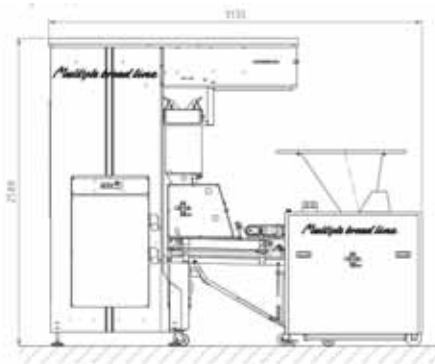
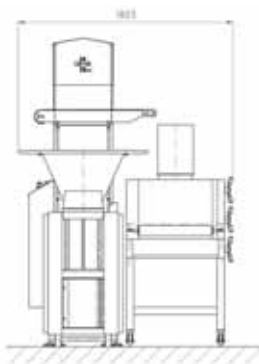
### MO-671 Multi Moulder

MO-671四辊  
成型机



|                        |              |
|------------------------|--------------|
|                        | MO-671 Multi |
| Weight range<br>重量范围   | 100-1000 gr  |
| Capacity up to<br>产量可达 | 600 pcs/h    |

### Measurements 外形尺寸



# Flexible bread line

## 多功能面包生产线

**A user-friendly and flexible bread line with high capacity and efficiency. The line, with a capacity of up to 1800 pcs/hour, handles a variety of dough types and bread sizes.**

一套高产能、高效率、易于操作的多功能面包生产线，产量可达1800个面团/小时，适用于各种类型和尺寸的面团。



### SD-180 Suction dough divider

SD-180 吸入式面团分块机



|              |         |             |
|--------------|---------|-------------|
| Weight range | SD180XS | 70-1000 gr  |
| 重量范围         | SD180   | 120-1600 gr |
|              | SD180XL | 180-2300 gr |

|          |                |
|----------|----------------|
| Capacity | 750-1800 pcs/h |
| 产量       |                |

### CR-310 GM Conical rounder

CR-310GM锥形揉圆机



CR-310GM

|              |            |
|--------------|------------|
| Weight range | 30-1800 gr |
| 重量范围         |            |

|                |            |
|----------------|------------|
| Capacity up to | 3600 pcs/h |
| 产量可达           |            |

### IPP Intermediate pocket prover

IPP 中间醒发箱



IPP

|              |             |
|--------------|-------------|
| Weight range | 100-1500 gr |
| 重量范围         |             |

|                |            |
|----------------|------------|
| Capacity up to | 3000 pcs/h |
| 产量可达           |            |

### MO-671 Moulder

MO-671四辊成型机

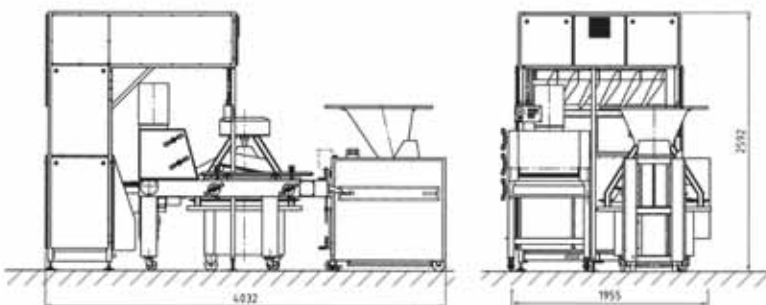


MO-671

|              |            |
|--------------|------------|
| Weight range | 30-1800 gr |
| 重量范围         |            |

|                |            |
|----------------|------------|
| Capacity up to | 3000 pcs/h |
| 产量可达           |            |

## Measurements 外形尺寸





# Industrial bread line

## 工业化面包生产线

**Heavy-duty bread line. All machines are designed for continual bread processing with high quality materials, reliable availability and excellent baking results. The line has a capacity of up to 3000 pcs/hour.**

工业化面包生产线，所有设备为连续的面包生产流程所设计，由高质量材料制成，具有可靠的高效能和极好的焙烤效果。这条生产线的产量可达3000个/小时。



### SD-300 Suction dough divider



SD-300 吸入式面团分块机

|              |         |              |
|--------------|---------|--------------|
| Weight range | 重量范围    |              |
| 1 pocket 单列  | SD300   | 100-1000 gr  |
| 1 pocket 双列  | SD300XL | 250-2300 gr  |
| 2 pockets 双列 | SD300   | 40-400 gr    |
| 2 pockets 双列 | SD300XL | 150-1150 gr  |
| Capacity 产量  |         |              |
| 1 pocket 单列  |         | 750-1500 gr  |
| 2 pockets 双列 |         | 1500-3000 gr |

### CR-310 GM Conical rounder

CR-310 GM 锥形揉圆机



|                     |               |
|---------------------|---------------|
|                     | CR-310GM      |
| Weight range 重量范围   | 30-1800 gr    |
| Capacity up to 产量可达 | 3600 pcs/hour |

### IPP Intermediate pocket prover

IPP 中间醒发箱



|                     |               |
|---------------------|---------------|
|                     | IPP           |
| Weight range 重量范围   | 100-1500 gr   |
| Capacity up to 产量可达 | 3000 pcs/hour |

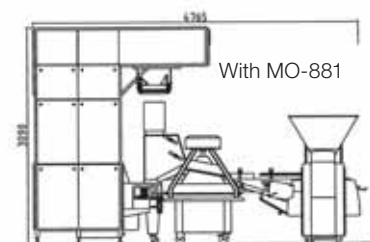
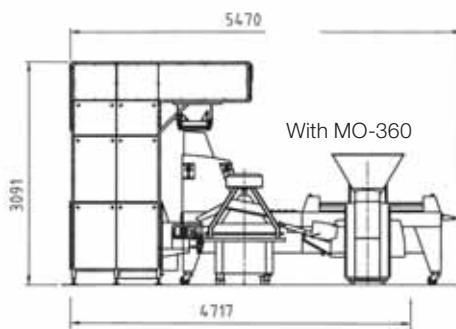
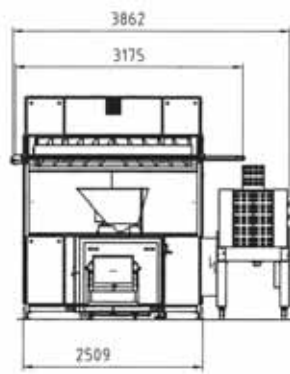
### MO-881 Moulder

MO-881 四辊成型机



|                     |               |
|---------------------|---------------|
|                     | MO-881        |
| Weight range 重量范围   | 30-1800 gr    |
| Capacity up to 产量可达 | 3600 pcs/hour |

## Measurements 外形尺寸





# SD-180 Dough Divider

## SD-180 面团分块机

**SD-180 is a noiseless automatic suction-feed dough divider for all types of dough. High weight accuracy and flexible weight range makes it suitable for all types of bakeries.**

SD-180 是一款适用于各种面团制作的吸入式低噪音全自动面团分块机。面团分割精度高和重量范围广，适用于任何规模的面包生产。

### Features and benefits

- Weight range 35 – 2300 gram
- Capacity 750 – 1800 pieces/h
- Dough knife in stainless steel directly connected to the hopper enable optimal emptying of hopper
- Easy-to-remove covers
- 100 lit ~ 70 kg dough hopper
- 225 lit ~ 150 kg dough hopper
- Non stick coated hopper (option)
- Variable speed with frequency converter
- Oil reservoir 17 lit, easy to fill
- Extremely silent 72 dB (A)
- Power supply 1,1 kW
- Developed and built in Sweden

### 特点与优势

重量范围35-2300克

面团切刀为不锈钢制造，直接连接在喂料斗底部，确保喂料斗中的面团彻底切完。

侧板易于打开

100L~70Kg面团喂料斗

225L~150Kg面团喂料斗

不粘涂层喂料斗（选项）

带有变频器，可调节速度

油箱17L，注油方便

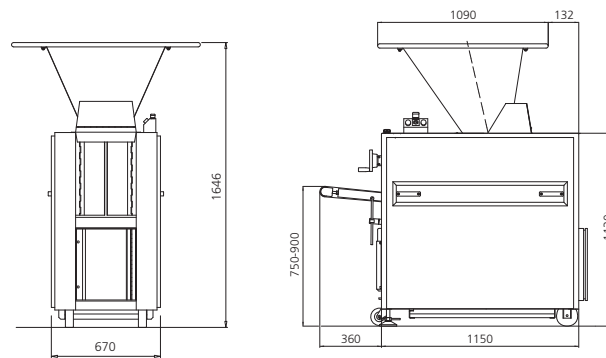
极度安静72分贝

功率1.1kw

瑞典研发



### Measurements 外形尺寸



### Technical 技术参数

|                      |  |
|----------------------|--|
| Capacity range 产量    | 750-1800 dough pieces/h 750-1800个面团/小时 |
| Weight range: 分割重量范围 |  |
| SD-180XS             | 70-1000 g                              |
| SD-180               | 120-1600 g                             |
| SD-180XL             | 180-2300 g                             |
| Power supply 功率      | 1,1 kW                                 |

# SD-300 Dough Divider

## SD-300 面团分块机

**An automatic suction-feed dough divider which can be used either as 1-pocket or as a 2-pocket. Strong construction adapted to heavy-duty production.**

全自动吸入式面团分块机，有单列或双列可作为选择。坚固的结构适用于工业化生产。

### Features and benefits

- PLC touch screen for menu based navigation controls
- Heavy duty construction
- 750 – 3000 pieces/h
- Weight range 40-2300 gram
- 100 lit ~ 70 kg dough hopper
- 225 lit ~ 150 kg dough hopper
- Non stick coated hopper (option)
- Dough knife in stainless steel directly connected to the hopper enable optimal emptying of hopper
- Dividing technology from high quality Ni-resist steel ensure high weight accuracy
- Oil reservoir 11 lit, easy to fill
- Developed and built in Sweden

### 特点与优势

PLC触摸屏带有菜单系统  
工业化结构

750-3000个/小时

100L~70Kg面团喂料斗

225L~150Kg面团喂料斗

不粘涂层喂料斗（选项）

面团切刀为不锈钢制造，直接连接在喂料斗底部，确保喂料斗中的面团彻底切完。

高质量耐蚀镍合金钢，确保大面团精确分割

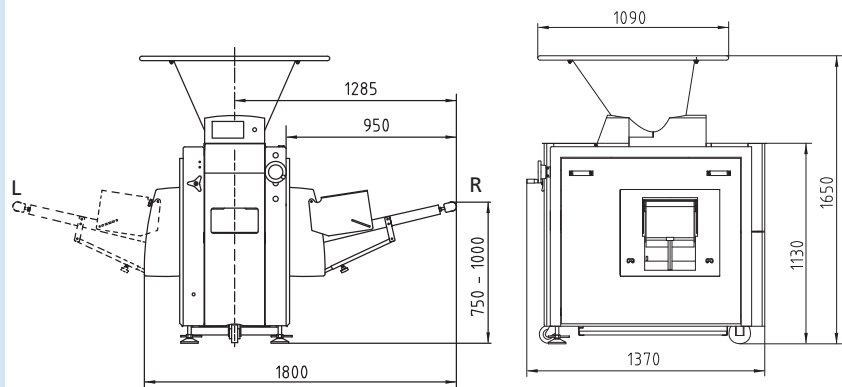
带有变频器，可调节速度

油箱11L，注油方便

瑞典研发



### Measurements 外形尺寸



### Technical 技术参数

|                               |                                       |
|-------------------------------|---------------------------------------|
| Capacity range 产量             |                                       |
| 2-pocket 双列                   | 1500-3000 dough pcs/h 1500-3000个面团/小时 |
| 1-pocket 单列                   | 750-1500 dough pcs/h 750-1500个面团/小时   |
| Weight range: 分割重量范围          |                                       |
| 2-pocket SD-300 双列SD-300      | 40 - 400 g                            |
| 1-pocket SD-300 单列SD-300      | 100 - 1000 g                          |
| 2-pocket SD-300 XL 双列SD-300XL | 150 - 1150 g                          |
| 1-pocket SD-300 XL 单列SD-300XL | 250 - 2300 g                          |
| Power supply 功率               | 1,62 kW                               |

# CR-260 Cone Rounder

## CR-260锥形揉圆机

**A conical rounder designed for a wide range of products. Fixed tracks set for different weight range enable excellent pre-rounding as well as final rounding moulding.**

锥形揉圆机广泛适用于各种面团的加工。采用固定式揉圆轨道，可以调节满足一定面团重量范围软硬面团的揉圆，使预揉圆效果与最终揉圆成型的效果一样完美。

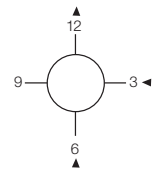


### Features and benefits

- Rounding length up to 4 m
- Capacity up to 3600 pieces/h
- Weight range 40-2000 gram
- Flour duster (option)
- Variable cone speed (option)
- Stainless steel (option)

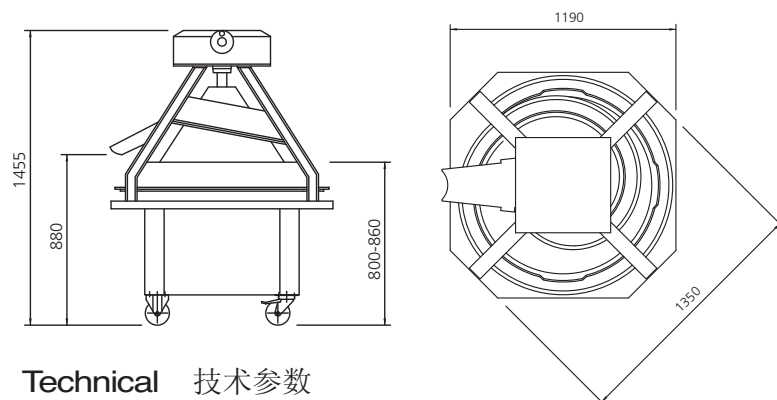
### 特点与优势

揉圆长度可达4米  
弧形导向板可以使面团损失降到最低  
不粘涂层的揉圆轨道  
预设弧形导向板可调节揉圆轨道  
产量可达3600个/小时  
面团重量范围40-2000克  
撒粉器（选项）  
锥形速度可调（选项）  
不锈钢（选项）



Infeed alternatives  
Discharge 12h  
Standard infeed at 6h

### Measurements 外形尺寸



### Technical 技术参数

|                       |                                     |
|-----------------------|-------------------------------------|
| Capacity range 产量     | up to 3600 dough-pcs/h 达到3600个面团/小时 |
| Weight range 面团揉圆重量范围 |                                     |
| CR-260/1              | 40-500 g                            |
| CR-260/2              | 380-1000 g                          |
| CR-260/3              | 800-1500 g                          |
| CR-260/4              | 1150-1750 g                         |
| CR-260/5              | 1500-2000 g                         |
| Power supply 功率       | 1,5 kW                              |



# CR-310 Cone Rounder

## CR-310锥形揉圆机

**The optimum machine for pre-rounding as well as final round moulding. The centrally adjustable rounding tracks enables a high flexibility and capacity.**

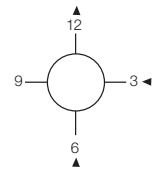
最佳的面团中间揉圆和最终揉圆成型设备。专利设计的可调揉圆轨道，满足各种面团重量的揉圆。

### Features and benefits

- Rounding length up to 4 metres
- Capacity up to 3600 pieces/h
- Weight range 30-1800 gram
- Teflon coating on the tracks
- Teflon coating on cone (option)
- Variable cone speed (option)

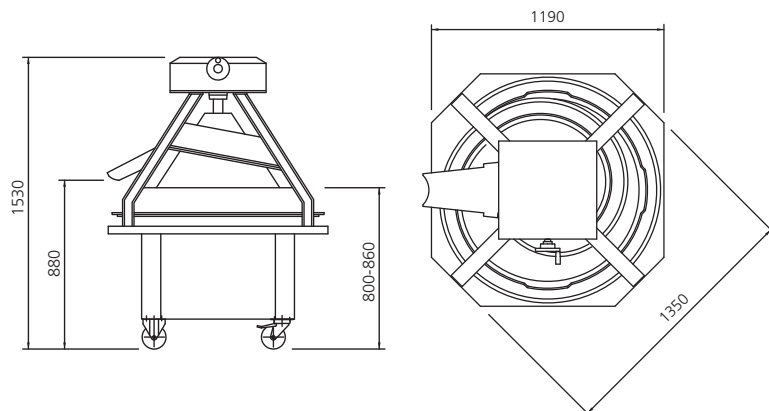
### 特点与优势

揉圆长度可达4米  
产量可达3600个/小时  
重量范围30-1800克  
面团揉圆重量范围30-1800克  
不粘涂层的揉圆轨道  
不粘涂层的揉圆辊（选项）  
揉圆辊速度可调（选项）



Infeed alternatives  
Discharge 12h  
Standard infeed at 6h

### Measurements 外形尺寸



### Technical 技术参数

|                       |  |
|-----------------------|--|
| Capacity range 产量     | up to 3600 dough-pieces/h 达到3600个面团/小时 |
| Weight range 面团揉圆重量范围 | 30-1800 g                              |
| Power supply 功率       | 1,5 kW                                 |



# IPP-Pocket Prover

## IPP中间醒发箱

**Constructed in a modular system and equipped with a dual infeed system with a capacity up to 3000 pcs/h. Solid stainless steel construction of the frame, swings and covers.**

Glimek中间醒发箱为模块化设计，能满足客户所需的产量和醒发时间要求。中间醒发箱的大部分部件为不锈钢制造。

### Features and benefits

- Infeed systems in 3 versions
- Dual infeed V-belt conveyors up to 3000 pcs/h
- Non-stick coated flap system
- Electrical control panel with all controls for the prover easy accessible
- Electrical sockets provided on the electrical cabinet for power supply for divider, rounder and moulder

### 特点与优势

有三种输入系统可选  
 双列V型喂入输送带，可使产量达3000个/小时  
 面斗经不粘处理  
 电子控制面板，可以独立控制，方便操作  
 电箱上有连接分块机、揉圆机和成型机的电插座

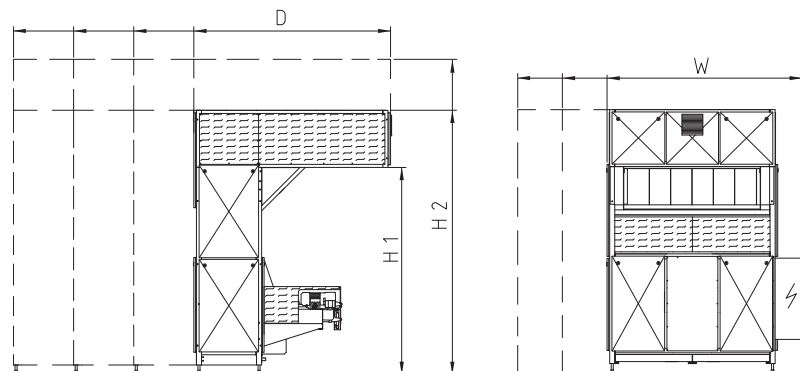


### Measurements 技术参数

|                               | W mm | D mm  | H1 mm | H2 mm |
|-------------------------------|------|-------|-------|-------|
| 6 pockets 6个面斗                | 1955 | 1930  | 2040  | 2600  |
| 8 pockets 8个面斗                | 2375 | 1930  | 2040  | 2600  |
| 10 pockets 10个面斗              | 2795 | 1930  | 2040  | 2600  |
| Extra module 附加模块             |      | + 590 |       |       |
| Height extension module 加高型模块 |      |       | + 500 | + 500 |

### Technical 技术参数

|                                      |                              |
|--------------------------------------|------------------------------|
| Capacity range<br>产量                 | max 3000 pcs/h<br>最大3000个/小时 |
| Weight range<br>重量                   | 100-1500 g<br>100-1500g      |
| Power supply<br>功率                   | 0,6 kW                       |
| Air supply (double infeed)<br>气压（双列） | 6 bar                        |
| Number of effective pockets<br>有效面斗数 | 132-940                      |







# MO-671 Moulder

## MO-671 四辊成型机

**Flexible moulder with 2 pair of rollers and pressure board with wedges for production of all types of dough such as baguettes, buns or toast bread.**

灵便的四辊成型机有两对间距可调的压辊和楔形压板，适合各种面团的成型，如法棒、圆面包或吐司面包。

### Features and benefits

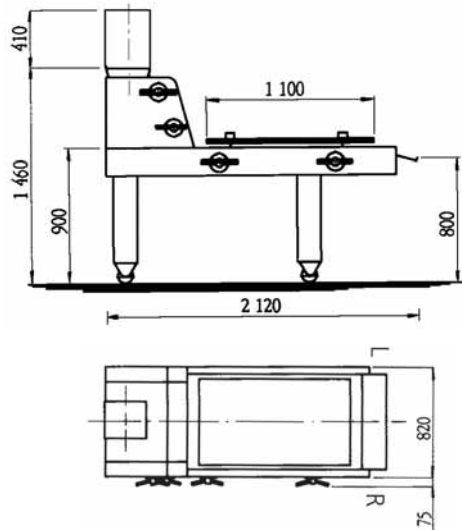
- Capacity up to 3000 pieces/h
- Weight range 30-1800 gram
- Adjustable infeed system ensure correct positioning of dough
- Adjustable pressure rollers with spring loaded scrapers for easy cleaning
- Working width up to 650 mm
- Pressure board 650 x 1100 mm is foldable and can be locked in upright position for easy cleaning
- Reference scale on each handle for optimum fine tuning
- Three knives in pressure board for 4 pieces (option)

### 特点与优势

产量可达3000个/小时  
重量范围30-1800克  
可调节喂入系统保证面团的位置准确  
可调节压辊带有弹簧加载刮刀易于清洁  
工作宽度可达650mm  
压板650×1100mm可折叠并锁定在垂直位置，易于清洁  
调节手柄上有标尺用于微调  
压板上的切刀用于将面团切成4个（选项）



### Measurements 外形尺寸



### Technical 技术参数

|                    |                        |              |
|--------------------|------------------------|--------------|
| Capacity range 产量  | up to 3000 dough-pcs/h | 可达3000个面团/小时 |
| Weight range 重量范围  | 30-1800 g              | 30-1800克     |
| Working width 工作宽度 | up to 650 mm           | 可达650mm      |
| Power supply 功率    | 1,1 kW                 |              |

# MO-881 Moulder

## MO-881六辊成型机

**Heavy duty moulder for use in industrial bakeries. Triple moulding head, curling net and double pressure boards.**

六辊成型机为工业化生产的重型设备。带有三对压辊，不锈钢卷面网和双压板。

### Features and benefits

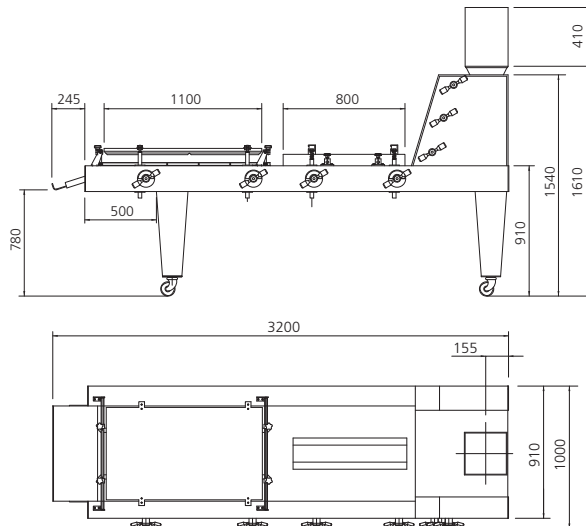
- Capacity up to 3600 pcs/h
- Tension timing belt, noiseless and resistable
- Three adjustable pressure rollers with spring loaded scrapers for easy cleaning
- Two separate pressure boards
- First pressure board is delivered in two widths, 220 and 280 mm.
- Foldable, second pressure board 650 x 1100 mm for easy cleaning

### 特点与优势

产量可达3600个/小时  
 张紧定时输送带, 无噪音, 耐腐蚀  
 三对可调节压辊带有弹簧加载刮刀易于清洁  
 两个独立压板  
 第一块压板两个长度, 220mm和280mm  
 第二块压板可折叠, 宽650×长1100mm, 易于清洁



### Measurements 外形尺寸



### Technical 技术参数

|                    |                                     |
|--------------------|-------------------------------------|
| Capacity range 产量  | up to 3600 dough-pcs/h 可达3600个面团/小时 |
| Weight range 重量范围  | 30-1800 g 30-1800克                  |
| Working width 工作宽度 | up to 650 mm 可达650mm                |
| Power supply 功率    | 1,1 kW                              |

# MO-360 Moulder Industrial

## MO-360 工业化成型机

**Universal industrial scale moulder completely in stainless steel for all types of bread production. Top of the line performance and designed regarding hygiene and maintenance.**

通用工业化成型机在卫生、维修保养和运行方面按照高标准设计，整机不锈钢制造，适用于各种面包产品。

### Features and benefits

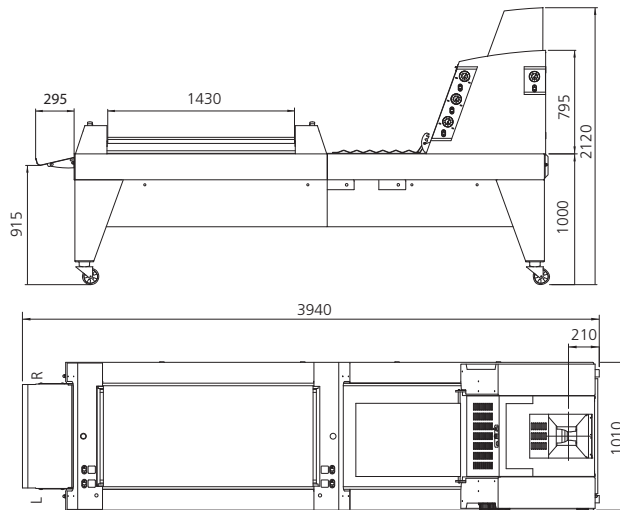
- 1430 mm long spring loaded foldable pressure board gives seamless closure of the dough pieces
- Spring mounted scraper system easy to release for daily cleaning
- Parallel adjustable motorized side guide system working width up to 650 mm
- Variable belt speed
- Motorized infeed system
- Individually motorized height adjustment of pressure board up to 80 mm in front and rear
- Capacity up to 3600 pieces/h
- Weight range 30-1800 gram
- Underlying conveyor for toast bread production with depositing device (option)

### 特点与优势

长度为1430mm的弹簧加载的折叠压板，可使面团无缝封闭  
 弹簧固定刮刀系统可拆卸，易于日常清理  
 平行可调节的侧导向系统宽度可达650mm  
 皮带速度可调整  
 自动化喂料系统  
 单个的压板前后调整高度可达80 mm  
 产量可达3600个/小时  
 重量范围30-1800克  
 下置输送带用于吐司面包产品，带入厅装置（选项）



### Measurements 外形尺寸



### Technical 技术参数

|                    |                                     |
|--------------------|-------------------------------------|
| Capacity range 产量  | up to 3600 dough-pcs/h 可达3600个面团/小时 |
| Weight range 重量范围  | 30-1800 g 30-1800克                  |
| Working width 工作宽度 | up to 650 mm 可达650mm                |
| Power supply 功率    | 2,0 kW (16 amp) 2.0KW, (16安培)       |